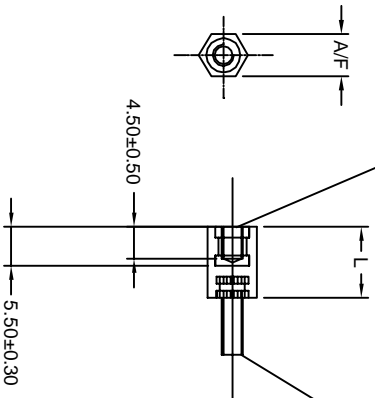


BRASS INSERT WITH M2.5 TAPPING

MS ZINK PLATED SCREW M3X6MM



**AVAILABLE SIZES**

A/F	L	THREADING	PART CODE
6	10	M2.5	AEHS62.510NS
6	12	M2.5	AEHS62.512NS

<b>ANAND Enterprises</b>		<b>TOLERANCE UNLESS OTHERWISE STAT ED</b>		$\pm 0.2$
HEAT TREATMENT	N/A			MM
MATERIAL	NYLON 6 BLACK	DATE	QTY.	
		30.4.19		
TITLE		DRG.NO.	082	
HEX SPACERS		SCALE 1:1	SHEET 1 OF 1	
MOLDED WITH INSERTS				